

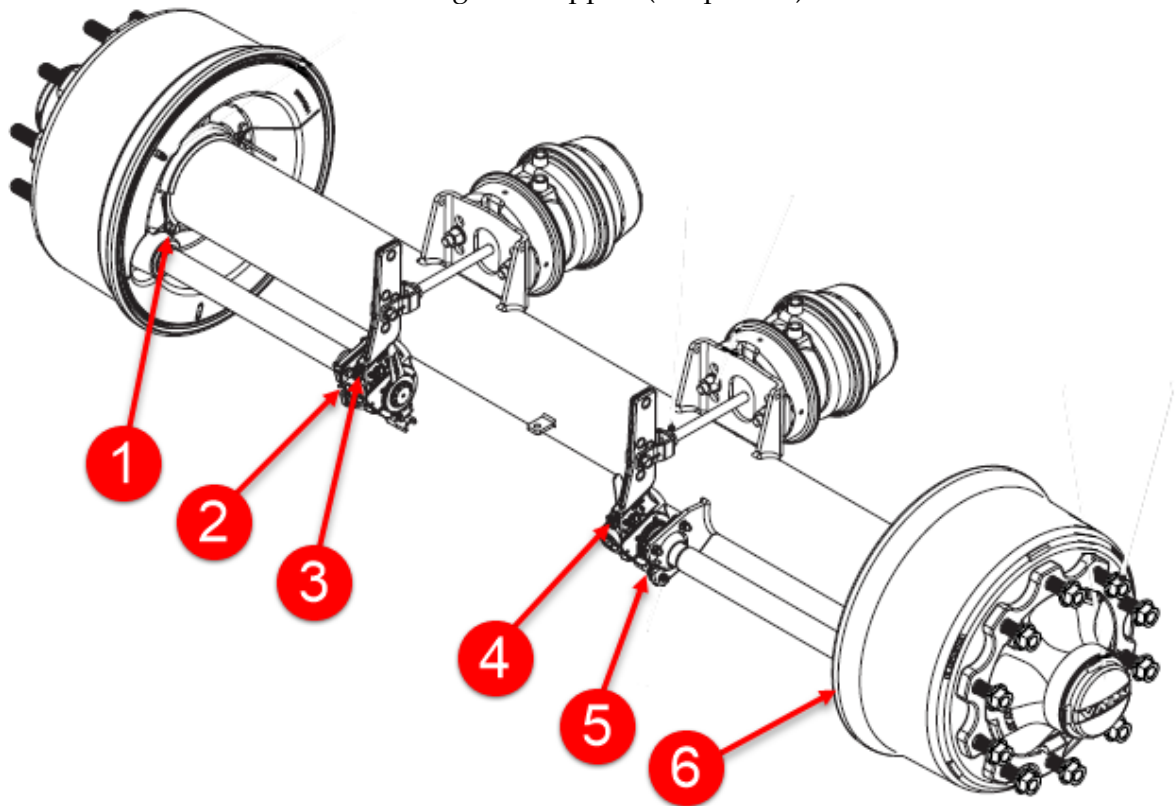
Valx instructions for greasing the S-cam bearings and slack adjuster

Instruction:

The Valx S-cam bearings and the slack adjuster are the only parts used by Valx on the drum brake trailer axles that still need to be lubricated.

Valx advises to lubricate these parts **every 6 months** (in normal road conditions) using a grease NLGI grade 2.

On the Valx drum brake there are 6 grease nipples (see picture)

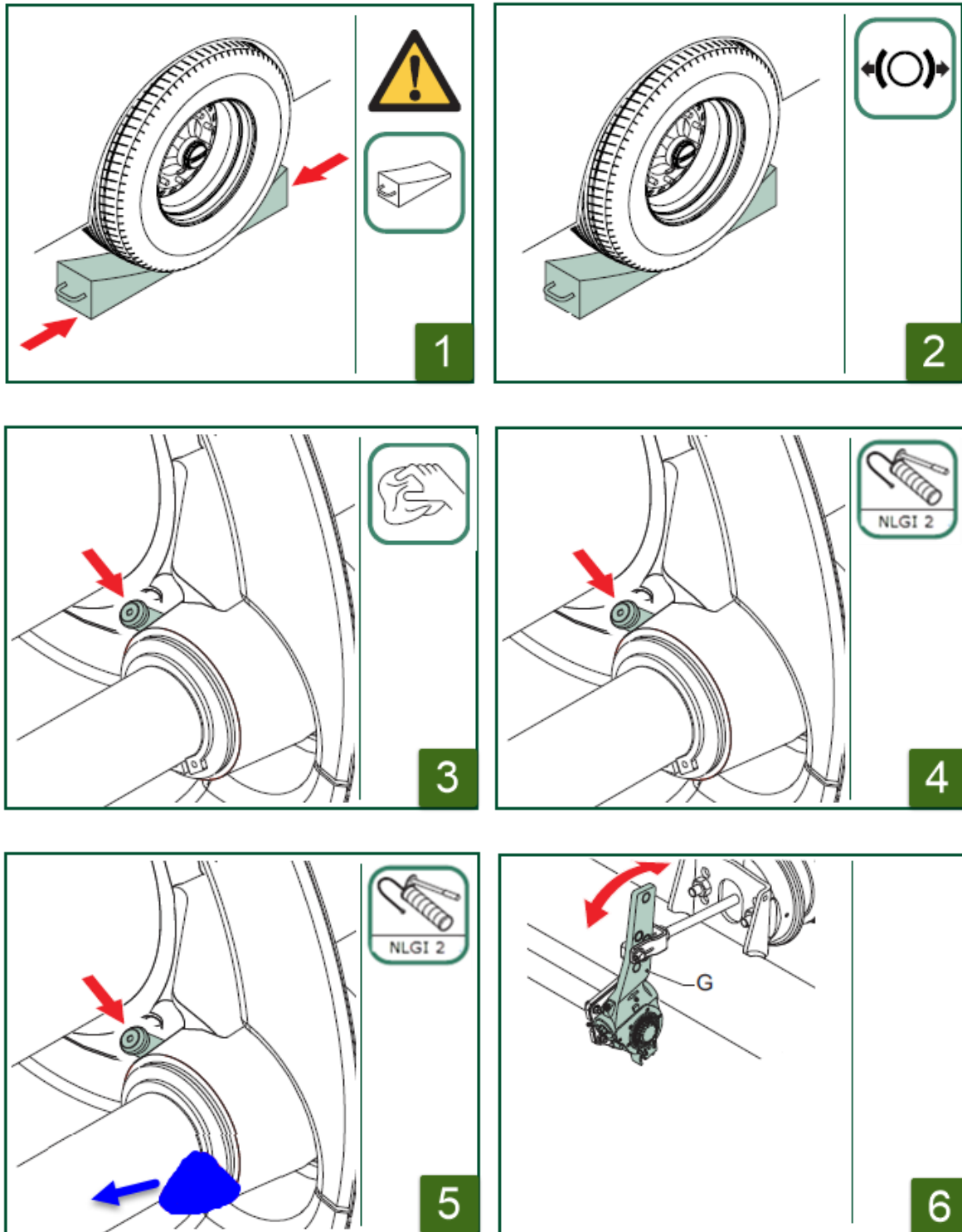


Greasing instruction:

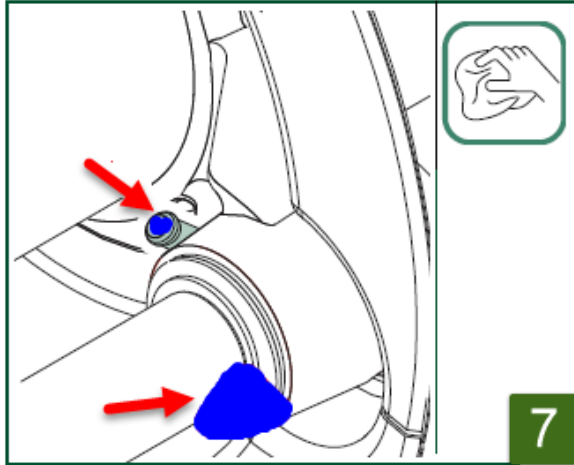
1. Secure the vehicle and follow all safety instructions (see Valx maintenance manuals on www.valx.eu)
2. Release the brake
3. Clean the grease nipple
4. Put the grease pump on the grease nipple
5. Pump grease in the grease nipple till the new grease comes out off the bearing pushing out all the old grease and dirt
6. Rotate the S-cam shaft by handforce (only after greasing point 1,2,5 and 6)
7. Wipe off all out coming grease.

Explanation from above greasing instructions can be found on page 2 and 3 from this document.

Valx instructions for greasing the S-cam bearings and slack adjuster



Valx instructions for greasing the
S-cam bearings and slack adjuster



Date:	31-3-2015
Name:	G. Colen
Version:	VF-TA-0004-A